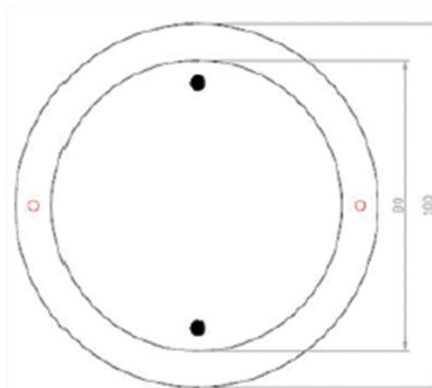
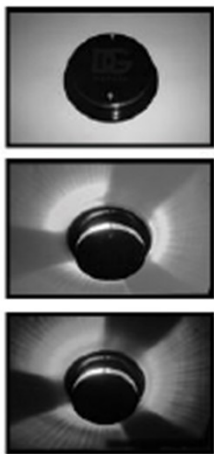


Parking space indicator XL - 1

CATALOG SHEET

XL-1 - LED high brightness
parking space indicator with an
effective lighting angle of 360°



STRUCTURE:

- Durable, ergonomic design
- Work in the system
- Intended for continuous operation
- Simple and quick assembly
- LED diodes with high luminous efficiency

FUNCTIONS:

- Cooperation with the XT-4 parking space detector
- Green (blue) / red signal
- Three brightness levels or "circular" lighting animation
- Other functions available by the XT-4 detector

PRODUCT SPECIFICATION:

- Case size - 100 x 28mm.
- Housing material - PMMA
- Weight - 180 g
- Power supply - DC 24V
- Working temperature -25 - + 70 °C
- Horizontal lighting angle - 360°
- Vertical lighting angle - 30°
- Maximum power consumption - 60mA (1.4W)
- Color control - 4 NO signals
- Cooperation with XT-4 - YES
- Installation - Ceiling or trough, 2 screws
- Cable outlet - Top (option - side)
- Cable connectors - 5x0.5mm. connected directly to the XT-4 or via a connection plate

CONTACT

WAMA SOFT Sp. z o. o

Trylińskiego 10/12, 10-683 Olsztyn

Tel. 89 612 09 23

E-mail: kontakt@wamasoft.pl